



## Imaging Systems

Intra-oral Imaging Equipment	241
Extra-oral Imaging Equipment	244
Imaging Software	249
Intraoral Imaging Accessories	250
Small Equipment	258



# IMAGING SYSTEMS



## Data Capture



## Restorative & Implant Planning



## Guided Surgery



## Digital Impressions



## Prosthetic Design



## Finalisation



## Intra-oral Imaging Equipment

### Heliodent Plus

Our Intra-Oral X-Ray unit is the cornerstone of your daily practice diagnostic work. With Dentsply Sirona's Heliodent Plus, you can expect great image quality, reliability and ease-of-use and an Intra-Oral X-Ray unit that integrates seamlessly into your practice. Equipped with Dentsply Sirona sensors or scanner ensuring the delivery of better, safer and faster Intra-Oral diagnostics.

#### Quality and durability for best image quality

- 0.4 mm focal spot
- Vibration-free components

#### Intuitive and easy to use

- User friendly control panels
- Pre-programmed settings

#### Multiple configurations to suit your practice

- Three different arm lengths
- Multiple remote control options
- Option to mount on treatment centre
- Ceiling mount

#### Wall-mounted



#### Heliodent Plus with Short Arm

#### Heliodent Plus with Medium Arm

#### Heliodent Plus with Long Arm

#### Ceiling-mounted



#### Heliodent Plus Ceiling-mounted

6602234

#### Ceiling-mounted Light Combination



#### Heliodent Plus and LED Light Combo Ceiling-mounted

6571272

\*Ceiling-mounted Heliodent Plus required in addition

#### Cart



#### Heliodent Plus Cart/Trolley

6452259

\*Wall-mounted Heliodent Plus required in addition

#### Release Options



#### Manual Exposure Release with Coil Cable and Holder

6256486



Panel with Push Button

6256452



Remote Timer Option

6256445

### Xios AE Intra-Oral Sensors

The Advanced Exposure technology of the Xios AE sensor combines the outstanding resolution of 33 lp/mm\* with optimized data read-out and exclusive innovative filtering functions to maximize your diagnostic potential.

#### Advantages:

- Superior image quality with dedicated diagnostic filtering
- Enhanced low-dose optimized dynamic range
- Dynamic sharpening slider for individual image enhancement
- Improved USB data transfer
- Easy cable exchange

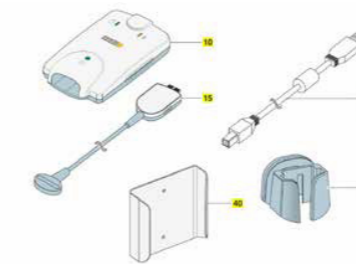


Xios AE Sensor USB Size 0	6724749
Xios AE Sensor USB Size 1	6724756
Xios AE Sensor USB Size 2	6724764
Xios AE USB Package	6724723

### XXios XG Supreme USB Package

USB Package Xios XG USB 2nd Xios	6402148
----------------------------------	---------

### Xios XG Supreme USB Sensors Accessories

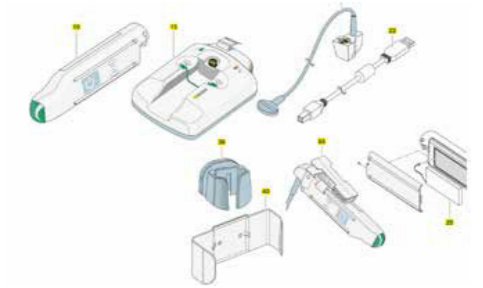


Xios XG USB Module (10)	6404656
Xios XG USB Cable Kit 90 cm (15)	6404169
Xios XG USB Cable Kit 180 cm (15)	6404177
Xios XG USB Cable Kit 270 cm (15)	6404185
Xios XG Sensor Holster Kit (30)	6404151
Xios XG USB A/B m Cable W/ Ferrite (35)	6404235
Xios XG Remote Wall Mount Kit (40)	6404326

### Xios XG Supreme WiFi Sensor

Xios XG Supreme WiFi Size 2	6402270
Xios XG Supreme WiFi Size 1	6402205
Xios XG Supreme WiFi Size 0	6402254

### Xios XG Supreme WiFi Sensor Accessories



Xios XG WiFi Interface (10)	6404367
Docking Station (15)	6404383
Xios XG USB A/B 2m Cable W/ Ferrite (22)	6404235
Xios XG WiFi Cable Kit 45 cm (30)	6404482
Xios XG WiFi Cable Kit 90 cm (30)	6404516
Xios XG WiFi Cable Kit 180 cm (30)	6404524
Xios XG WiFi Cable Kit 270 cm (30)	6404532
Xios XG WiFi battery, spare (25)	6404375
Xios XG Sensor Holster Kit (35)	6404151
Xios XG WiFi Docking Station Wall Mount (40)	6404441
Xios XG WiFi Interface Clip Assembly (55)	6404342

### Xios AimRight Sensor Holder System (autoclavable)



#### Starter Kits

Aim Right Starter Kit for Size 2	6545615
Aim Right Starter Kit for Size 1	6545607

#### Individual Arms for Size 2 Sensors

Aim Right Universal Ring - Red	6545599
Aim Right Horizontal Holder Size 2 - Blue (2 pcs)	6545581
Aim Right Periapical Holder Size 2 - Yellow (4 pcs)	6545540

#### Individual Arms for Size 1 Sensors

Aim Right Universal Ring - Red	6545599
Aim Right Horizontal Holder Size 1 - Blue	6545573



Xios Sensor Holder System (Adhesive)



Starter Kits

Xios XG Sensor holders Starter Kit for Size 2 6411297

Xios XG Sensor holders Starter Kit for Size 0 and 1 6411289

Individual Holders

Xios anterior sensor holder, blue (100 pcs) 6176510

Xios posterior sensor holder, yellow (100 pcs) 6176528

Xios bitewing sensor holder, red (100 pcs) 6176536

Xios endo universal sensor holder, green (100 pcs) 6176544

Xios endo sensor holder, grey (50 pcs) 6176551

Hygienic Covers for Xios XG Sensors

Hygienic covers, Xios AE/XG, Size 0/1 (300 pcs) 6409960

Hygienic covers, Xios AE/XG, Size 2 (300 pcs) 6409952

Extra-Oral Imaging Equipment

Orthophos 2D Panoramic Units

Extra-Oral Imaging

2D Imaging Solutions

The Orthophos 2D X-Ray range offers the right solution for every practice. From entry-level radiography to the perfect solution for all areas of dentistry, Dentsply Sirona offers a product for you.

2D Panoramic

Orthophos E

- Perfect unit for basic 2D diagnostics
- HD image quality with Csl sensor
- Stable patient positioning for excellent images
- Paediatric panoramic images
- Optional Lateral Cephalometric



Orthophos E

2D Panoramic Upgradeable to 3D

Orthophos S 2D

- Automatic patient positioning with Autofocus
- HD image quality with Csl Plus sensor
- 3D upgradability up to 11 x 10cm Field of View
- Paediatric panoramic images
- Optional Lateral Cephalometric



Orthophos S

Orthophos SL 2D

- Direct Conversion Sensor for incomparably sharp image quality
- Sharp Layer (SL) technology ensures the entire jaw is in focus
- 3D upgradable to 11 x 10 cm Field of View
- Optional Lateral Cephalometric



Orthophos SL



Orthophos Hybrid (2D and 3D) Units

3D Cone Beam and Panoramic Imaging Units

Orthophos S 3D

- Automatic patient positioning with Autofocus
- HD image quality with Csl Plus sensor for 2D imaging
- 3D Low Dose mode for indication-based diagnosis
- 80Qm high definition mode for even more low-noise, high contrast images
- Multiple application options available e.g. Endodontic or Sleep Apnoea Software
- Volumes cover 5 x 5.5, 8 x 8 and 11 x 10 cm
- Optional Lateral Cephalometric



Orthophos S

Orthophos SL 3D

- Direct conversion sensor and sharp layer technology for 2D imaging
- 3D Low Dose mode for indication-based diagnosis
- 80Qm high definition mode for even more low-noise, high contrast images
- Multiple application options available e.g. Endodontic or Sleep Apnoea Software.
- Volumes cover 5 x 5.5, 8 x 8 and 11 x 10 cm



Orthophos

Axeos

The 2D/3D specialist system with a large volume and high image quality for practices with a broad treatment offering. In addition to excellent image quality and tailor-made 3D volume sizes, the device is fully optimized for enhanced patient comfort.

Clinical Confidence

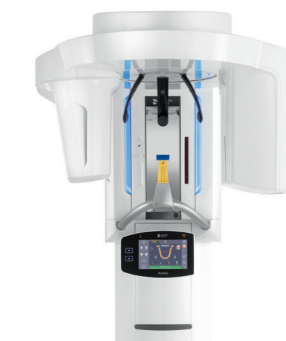
- Field of View Ø 5x5.5 to Ø 17x13
- 3D low dose and HD function
- Unique 2D DCS sensor with autofocus function and

Cephalometric programs Smart Connectivity

- Sidexis 4
- Integration into large clinic and DSO networks
- Open interfaces

Exceptional Experience

- Autopositioning with the auto-positioner and EasyPad
- Integrated cabinet with Ambient Light
- Smart height adjustment



X-Ray Cabinet for all Orthophos Units

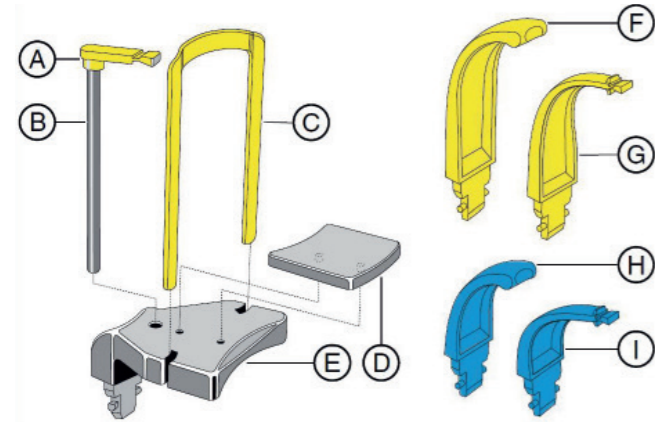
The X-Ray Cabinet from Kappler is an extremely flat drawer unit and a perfect addition for any Orthophos X-ray system (built after 2004). With a depth of just 90 mm it stocks consumables and accessories in an elegant and space-saving way.



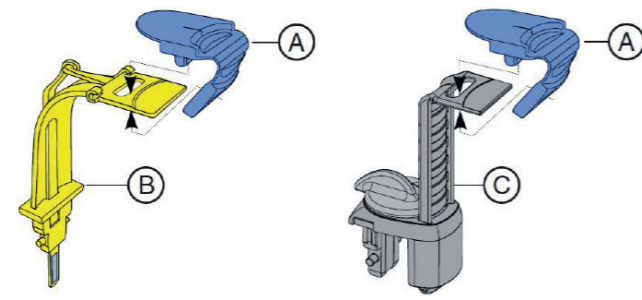


Orthophos XG Accessories

Bite Blocks & Contact Segments

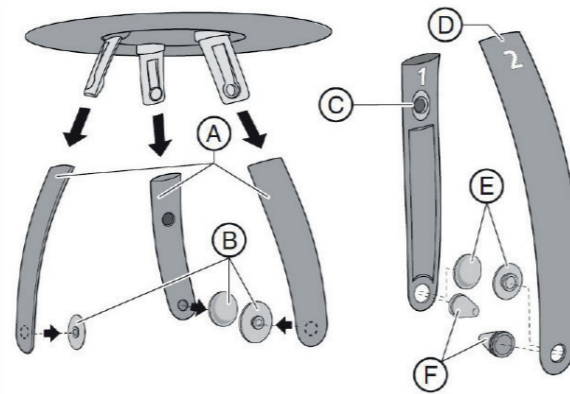


Bite block (10 pcs) (A)	1888887
Rod for bite block (5 pcs) (B)	1888895
Bar for chin rest (C)	5961461
Chin rest (D)	1449227
Chin rest complete (E)	5981472
including 5 x A, 1 x B, C, D, protective sleeves for bite block (500 pcs) (E)	
Yellow contact segment for subnasale (5 pcs) (F)	8931545
Yellow bite block (5 pcs) (G)	8921843
Blue contact segment for subnasale (5 pcs) (H)	8931552
Blue bite block (5 pcs) (I)	8921850



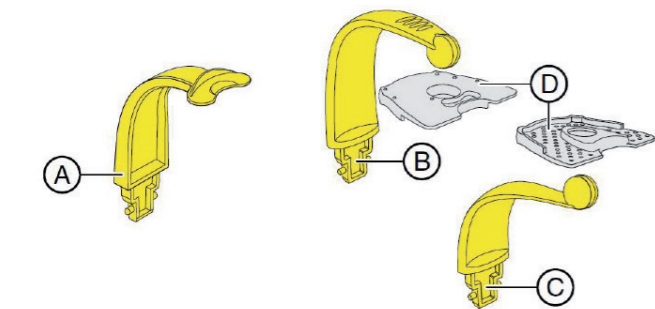
Bite block foam (100 pcs) (A)	6141449
Occlusal bite block (B)	6211143
Universal bite block (C)	6141431
Template Holder for Model and Denture Scan	6299759

Temple, Forehead and TMJ Supports



Forehead support and temple supports (1 set) (A)	6483973
Contact pads for forehead and temple supports (1 set) (B)	6485010
Temporomandibular joint support 1 for temporomandibular joint exposures (C)	6484112
Temporomandibular joint support 2 for temporomandibular joint exposures (D)	6485002
Contact pads for temporomandibular joint supports (10 pcs) (E)	5990648
Ear holders for temporomandibular joint supports (10 pcs) (F)	1888838

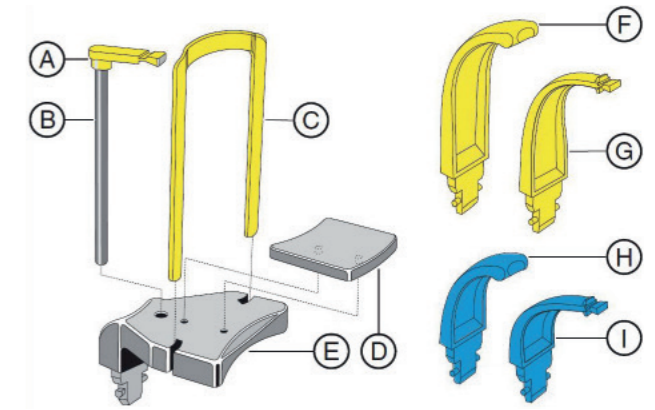
Hygienic Protective Sleeves



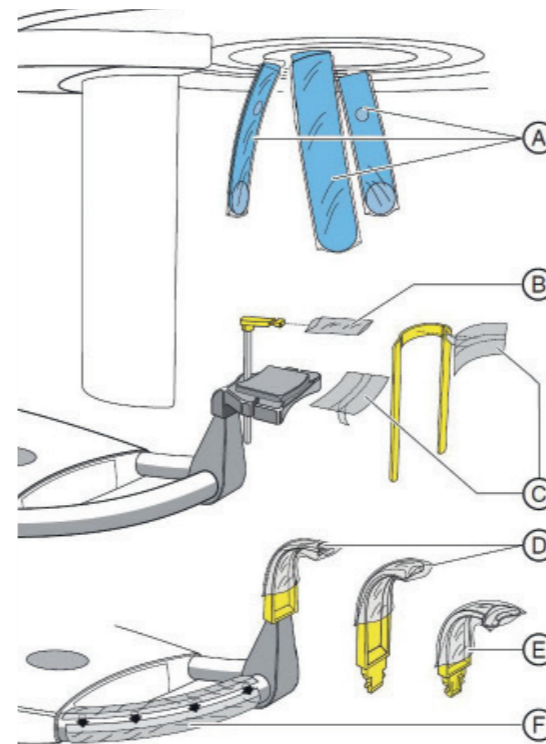
Galileos/XG3D bite block (5 pcs) (A)	6134949
Spherical mandibular bite block (with symbol for UK) (1 pc) (B)	6150226
Spherical maxillary bite block (with symbol for UK) (1 pc) (C)	6150218



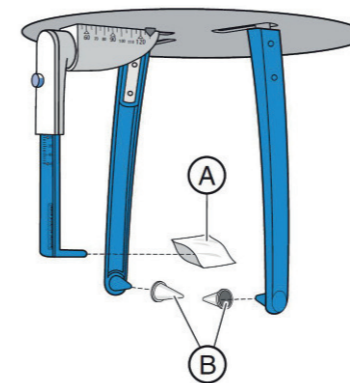
Bite Blocks & Contact Segments



Bite block (10 pcs) (A)	1888887
Rod for bite block (5 pcs) (B)	1888895
Bar for chin rest (C)	5961461
Chin rest (D)	1449227
Chin rest complete (E)	5981472
5 x A, 1 x B, C, D, protective sleeves for bite block (500 pcs) (E)	
Yellow contact segment for subnasale (5 pcs) (F)	8931545
Yellow bite block (5 pcs) (G)	8921843
Blue contact segment for subnasale (5 pcs) (H)	8931552
Blue bite block (5 pcs) (I)	8921850

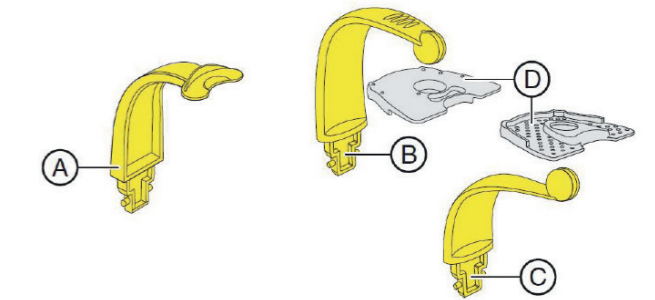


For forehead support and temple supports (500 pcs) (A)	5968263
For bite block, dimensions 43 x 21 mm (500 pcs) (B)	3314072
For chin rest and bar (100 pcs) (C)	5932603
For bite blocks and contact segments (500 pcs) (D)	3314080
For GALILEOS/XG3D bite blocks (500 pcs) (E)	6127745
Protective film for handles (F)	5968255

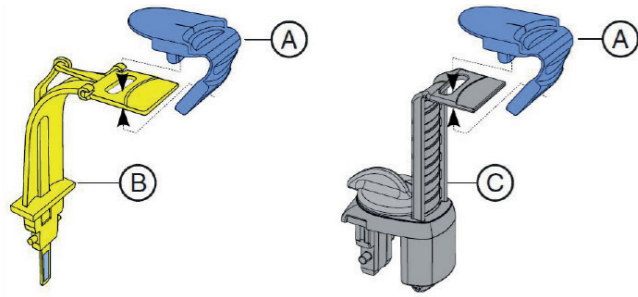


Protective sleeve for nose support, single use device (100 pcs) (A)	3314106
Protective caps for ear plugs, reusable device (20 pcs) (B)	8932261

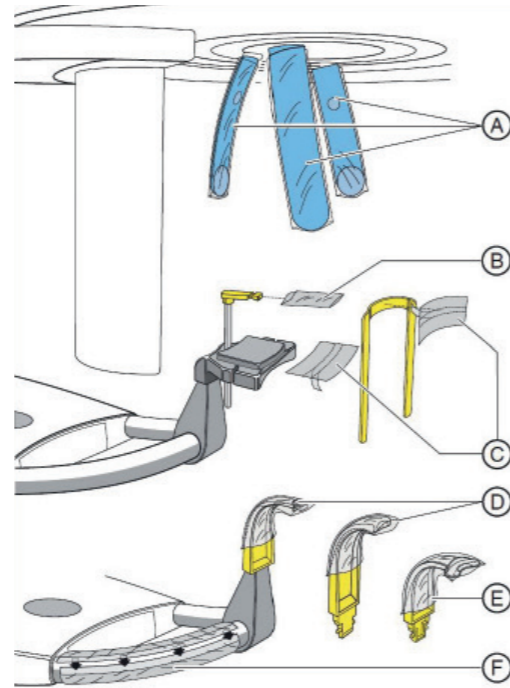
Orthophos S and SL Accessories



GALILEOS/XG3D bite block (5 pcs) (A)	6134949
Spherical mandibular bite block (with symbol for UK) (1 pc) (B)	6150226
Spherical maxillary bite block (with symbol for UK) (1 pc) (C)	6150218
Spherical bite plate (Single use only) (D)	

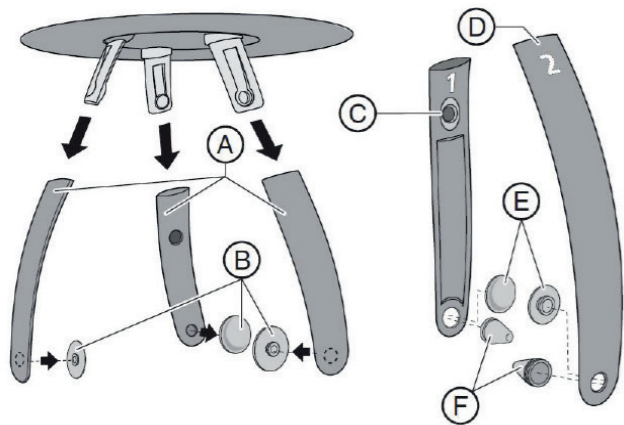


Bite block foam (100 pcs) (A)	6141449
Occlusal bite block (B)	6211143
Universal bite block (C)	6141431
Template Holder for Model and Denture Scan	6299759



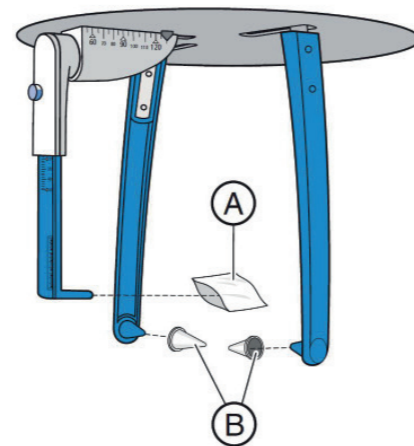
For forehead support and temple supports (500 pcs) (A)	5968263
For bite block, dimensions 43 x 21 mm (500 pcs) (B)	3314072
For chin rest and bar (100 pcs) (C)	5932603
For bite blocks and contact segments (500 pcs) (D)	3314080
For GALILEOS/XG3D bite blocks (500 pcs) (E)	6127745
Protective film for handles (F)	5968255

Temple, Forehead and TMJ Supports



Forehead support and temple supports (1 set) (A)	6483973
Contact pads for forehead and temple supports (1 set) (B)	6485010
Temporomandibular joint support 1 for temporomandibular joint exposures (C)	6484112
Temporomandibular joint support 2 for temporomandibular joint exposures (D)	6485002
Contact pads for temporomandibular joint supports (10 pcs) (E)	5990648
Ear holders for temporomandibular joint supports (10 pcs) (F)	1888838

Hygienic Protective Sleeves



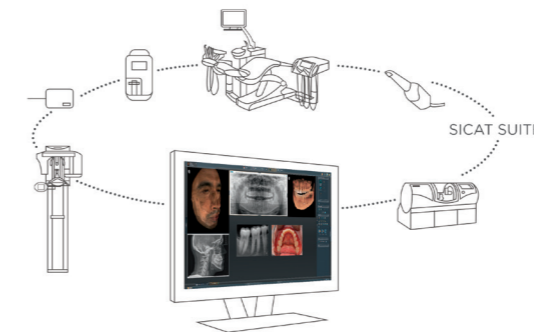
Protective sleeve for nose support, single use device (100 pcs) (A)	3314106
Protective caps for ear plugs, reusable device (20 pcs) (B)	8932261

### Imaging Software

#### Sidexis

Working digitally made easy  
The imaging platform for your practice

- Intuitive user interface
- Seamless visualisation of 2D, 3D and Intra-Oral imaging
- Patient communication tool for improved treatment acceptance
- Interface for integrated solutions e.g. implant planning, sleep apnoea, endodontics



Sidexis 4	6618248
Sidexis Update (to latest Version)	6618263
Sidexis 4 Upgrade from Sidexis XG	6618255



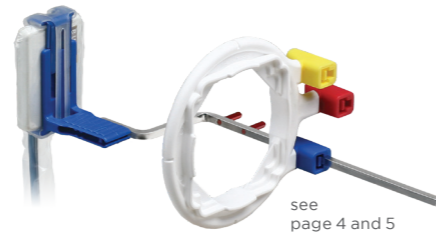
### Intraoral Imaging Accessories

## Rinn® XCP-ORA® One Ring & Arm Positioning System

One Ring. One Arm. One Goal:  
Faster & Easier Radiographic Accuracy.

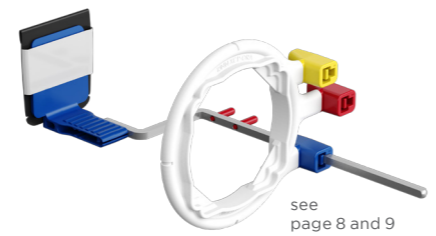
- 3-in-1 positioning convenience for anterior, posterior, and bitewing
- Reduces components needed to accurately position radiographic media
- To be used with Rinn® biteblocks for
  - Digital Sensors (XCP-DS Fit®)
  - Phosphor Plates (XCP-PSP Fit®)
  - Film (XCP®)
- Works with round and rectangular collimators
- Autoclavable

For Digital Sensors:



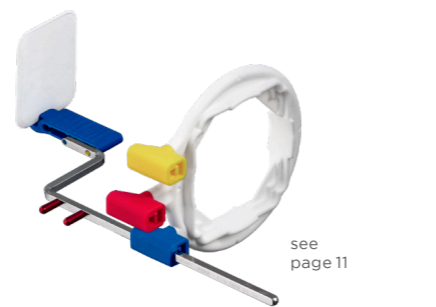
see page 4 and 5

For Phosphor Plates:



see page 8 and 9

For Film:



see page 11

ORA Ring & Arm	Qty
550771 XCP-ORA® Arm & Ring	1 pc.
550772 XCP-ORA® Arm & Ring	2 pcs.
550773 XCP-ORA® Ring	1 pc.
550774 XCP-ORA® Arm	1 pc.



Please note: The green Endo-Biteblocks of the product lines Rinn® XCP®, XCP-PSP Fit™ and XCP-DS Fit® need the XCP® positioning arm and ring (see page 5, 9 and 11).

## Rinn® XCP-DS Fit® Universal Sensor Holder

Less clutter -  
each biteblock fits multiple sizes

- Fits any size - designed for sensor sizes 0, 1, 1.5 and 2, no matter the brand
- Fast and easy to load
- Rigid sensor support - keeps sensor positioned accurately
- Silicone cushioned edges help provide patient comfort
- Autoclavable

### Rinn® XCP-ORA® One Ring & Arm Positioning System

Used with the 3-in-1 XCP-ORA® Positioning System, the single arm and ring design simplifies positioning with fewer parts.



## Rinn® Universal Digital Sensor Covers Disposable Polyethylene Barrier

Rinn® Universal Digital Sensor Covers	Qty
550500 Relaxed-fit bags 3,8 x 17,8 cm	500 pcs.



## Rinn® XCP-DS Fit® Biteblocks



	Fits Sensor Size	Qty
Anterior Thick		
559901 Anterior Thick	1, 1.5, 2	2 pcs.
Posterior		
559902 Posterior	1, 1.5, 2	2 pcs.
Bitewing Horizontal		
559903 Bitewing Horizontal	1, 1.5, 2	2 pcs.
Bitewing Vertical		
559904 Bitewing Vertical	1, 1.5, 2	2 pcs.

	Fits Sensor Size	Qty
Endodontic		
559905 Endo	1.5, 2 Horizontal 1, 1.5 Vertical	2 pcs.

	Qty
Replacement Silicone Bands	
559913 Short - For Posterior, Vertical Bitewing, Endo and Size 0	6 pcs.
559914 Long - For Anterior Thick, Anterior Thin, and Horizontal Bitewing	6 pcs.

Size 0: The Vertical Bitewing biteblock can also be used for Horizontal Bitewings with a size 0 sensor.



## Rinn® XCP-ORA® One Ring & Arm Positioning System



Rinn® XCP-ORA® Ring & Arm	Qty
550771 XCP-ORA® Arm & Ring	1 pc.
550772 XCP-ORA® Arm & Ring	2 pcs.
550773 XCP-ORA® Ring	1 pc.
550774 XCP-ORA® Arm	1 pc.

## Rinn® XCP® Aiming Ring & Arm



Rinn® XCP® Endo Arm & Ring	Qty
550597 Endo Arm (No pins)	1 pc.
550598 Endo Ring (Green)	1 pc.

## Rinn® XCP-DS Fit® Kits Universal Sensor Holder

Rinn® XCP-DS Fit® Kits	
559900 Rinn® XCP-DS Fit® Hygiene Kit Contains: (50) Universal Sensor Covers, Biteblocks: (2) Anterior Thick, (2) Posterior, (2) Vertical Bitewing, (2) Horizontal Bitewing, (1) ORA Ring & Arm	
559909 Rinn® XCP-DS Fit® Complete Kit Contains: (50) Universal Sensor Covers, Biteblocks: (2) Anterior Thick, (2) Posterior, (2) Vertical Bitewing, (2) Horizontal Bitewing, (2) Endo, (1) ORA Ring & Arm, (1) XCP Endo Arm, (1) XCP Endo Ring	

Rinn® XCP-DS Fit® Kits	
559908 Rinn® XCP-DS Fit® Endodontic Kit Contains: (50) Universal Sensor Covers, (2) XCP-DS Fit Endo Biteblocks, (1) XCP Endo Arm, (1) XCP Endo Ring	



# Rinn® Snap-A-Ray®

Fast and easy to use.  
For intraoral radiographs with bisecting technique.

- Provides accurate positioning
- Sliding lock holds 1, 1.5, and 2 securely
- For all anterior and posterior radiographs
- Autoclavable
- Snap-A-Ray® DS Endo features a cut out bite surface to allow room for your work

Rinn® Snap-A-Ray® DS Universal Sensor Holder	Qty
550321 Snap-A-Ray® DS	1 pc.
550323 Snap-A-Ray® DS	3 pcs.
550421 Snap-A-Ray® DS Endo	1 pc.
550423 Snap-A-Ray® DS Endo	3 pcs.

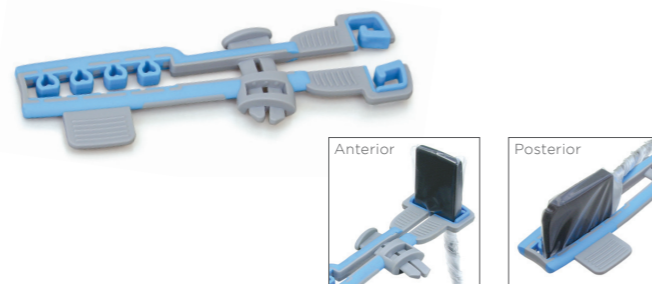


Use with the optional 2-in-1 Arm and Ring kit for alignment.

Rinn® Snap-A-Ray® DS Positioning Arm and Ring Kit	Qty
550322 Snap-A-Ray® DS Positioning Arm and Ring Kit	1 pc.
Contains each: 2-in-1 aiming ring (1), Straight arm (1), Angled arm (1)	

# Rinn® Eezee-Grip® Digital Sensor Holder

- Fits most sensor brands and sizes
- Great for all anterior and posterior radiographs, including the third-molar region
- Patented flexible grips designed for patient comfort
- Autoclavable



Rinn® Eezee-Grip® Digital Sensor Holder	Qty
550293 Eezee-Grip® Digital Sensor Holder	1 pc.
550294 Eezee-Grip® Digital Sensor Holder	3 pcs.



# Rinn® Uni-Grip® 360 Universal Sensor Holder

84% of sensor users found Uni-Grip® 360 to be faster than individual holders.<sup>1</sup>

- Designed to capture an entire full mouth series using only one holder
- Single-use holder accommodates any #1, #1.5 or #2 sized digital sensor
- Easy rotating tab for posteriors, anteriors and bitewings
- Perforated adhesive tabs for fast, easy removal
- Enhanced patient comfort due to compact size and round corners



Rinn® Uni-Grip® 360	Qty
550052 Uni-Grip® 360 Kit	1 pc.
Contains: 50 Uni-Grip® 360 Universal Sensor Holders, 50 Sensor Covers	
550252 Uni-Grip® 360 Combo Pack	1 pc.
Contains: 100 Uni-Grip® 360 Universal Sensor Holders, 100 Sensor Covers, 1 Uni-GripAR® Positioning Arm and Ring	

# Rinn® Uni-Grip® Universal Sensor Holder for Film and Phosphor Plates



Rinn® Uni-Grip®	Qty
550055 Uni-Grip® Kit for Film and Phosphor Plates	1 pc.
Contains: package of 50 Uni-Grip® Film and Phosphor Plate Holders	
550255 Uni-Grip® Combo Kit for Film and Phosphor Plates	1 pc.
Contains: two 550055 kits, one Uni-GripAR®	

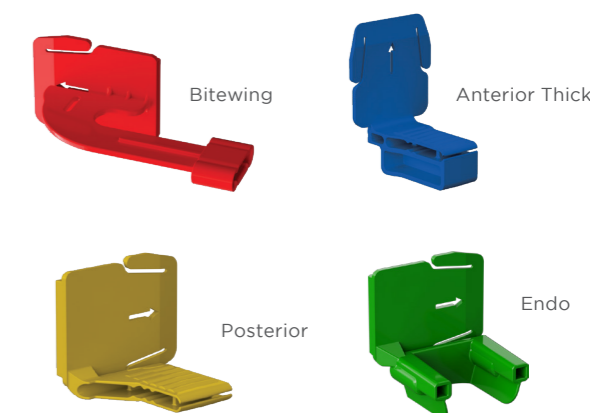
Sliding the bitepiece along the channels enables you to take anterior, posterior and bitewing x-rays.



# Rinn® XCP-PSP Fit® Phosphor Plate Holder System

Less shifting and movement – minimizing the risk of errors and retakes

- Secure band envelopes work together with the biteblocks to keep the phosphor plate in place.
- Fits all major phosphor plate brands in sizes 0, 1, 2 and 3
- Protects phosphor plates
- Simplifies with color-coding assembly
- Enhances patient comfort with soft envelopes and rounded biteblocks
- Decreases clutter when used with Rinn® XCP-ORA® One Ring & Arm Positioning System







### Rinn® XCP-PSP Fit® Phosphor Plate Envelopes with Secure Band



Envelopes with Secure Band	Qty
552714 Phosphor Plate Envelopes, Size #2	100 pcs.
552710 Phosphor Plate Envelopes, Size #0	100 pcs.
552711 Phosphor Plate Envelopes, Size #1	100 pcs.
552712 Phosphor Plate Envelopes, Size #2	200 pcs.
552713 Phosphor Plate Envelopes, Size #3	100 pcs.



### Rinn® XCP-PSP Fit® Biteblocks

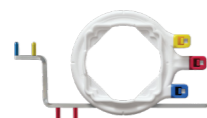


Anterior Thick	Fits Phosphor Plate Size	Qty
552730 Anterior Thick	1	2 pcs.
552731 Anterior Thick	2	2 pcs.
Anterior Thin		
552740 Anterior Thin	0	4 pcs.
552741 Anterior Thin	1	4 pcs.
552742 Anterior Thin	2	4 pcs.
552743 Anterior Thin	2	10 pcs.
Posterior		
552750 Posterior	0	4 pcs.
552751 Posterior	1	4 pcs.
552752 Posterior	2	4 pcs.
552753 Posterior	2	10 pcs.

Bitewing Horizontal	Fits Phosphor Plate Size	Qty
552760 Bitewing Horizontal	0	4 pcs.
552761 Bitewing Horizontal	1	4 pcs.
552762 Bitewing Horizontal	2	4 pcs.
552763 Bitewing Horizontal	2	10 pcs.
552764 Bitewing Horizontal	3	4 pcs.
Bitewing Vertical		
552770 Bitewing Vertical	2	4 pcs.
Endodontic		
552781 Endo Horizontal	2	4 pcs.
552790 Endo Vertical	1	4 pcs.
552791 Endo Vertical	2	4 pcs.



### Rinn® XCP-ORA® One Ring & Arm Positioning System



### Rinn® XCP® Aiming Ring & Arm



Rinn® XCP-ORA® Ring & Arm	Qty
550771 XCP-ORA® Arm & Ring	1 pc.
550772 XCP-ORA® Arm & Ring	2 pcs.
550773 XCP-ORA® Ring	1 pc.
550774 XCP-ORA® Arm	1 pc.

Rinn® XCP® Endo Arm & Ring	Qty
550597 Endo Arm (No pins)	1 pc.
550598 Endo Ring (Green)	1 pc.

### Rinn® XCP-PSP Fit® Kits Phosphor Plate Holder System



### Rinn® XCP-PSP Fit® Phosphor Plate Holder System for Endo



Rinn® XCP-PSP Fit® Kits	Qty
552700 Complete Size 0 Solution Kit Contains: Envelopes #0 (100), Anterior Thin #0 (4), Posterior #0 (4), Bitewing Hor. #0 (4), ORA Ring & Arm (1)	
552701 Complete Size 1 Solution Kit Contains: Envelopes #1 (100), Anterior Thick #1 (2), Anterior Thin #1 (4), Posterior #1 (4), Bitewing Hor. #1 (4), ORA Ring & Arm (1)	
552702 Complete Size 2 Solution Kit Contains: Envelopes #2 (100), Anterior Thick #2 (2), Anterior Thin #2 (8), Posterior #2 (8), Bitewing Hor. #2 (8), ORA Ring & Arm (1)	

Rinn® XCP-PSP Fit™	Qty
552703 Complete Endo Kit Contains: Envelopes #1 (100), Envelopes #2 (100), Endo Vert. #2 (4), Endo Hor. #2 (4), Endo Vert. #1 (4), XCP Endo Arm (1), XCP Endo Ring (1)	



## Rinn® Snap-A-Ray® Xtra Film & Phosphor Plate Holder

### Film and Phosphor Plate Holder for Bisecting Technique

- Cushioned media grips hold film and phosphor plates secure!
- Cushioned bite areas designed to enhance patient comfort
- Media can be angled for hard-to-reach areas
- Autoclavable

Rinn® Snap-A-Ray® Xtra Film & Phosphor Plate Holder	Qty
540501 Snap-A-Ray® Xtra Film & Phosphor Plate Holder	1 pc.
540503 Snap-A-Ray® Xtra Film & Phosphor Plate Holder	3 pcs.

### Rinn® Flip-Ray® Universal Film & Phosphor Plate Holder

#### Flip media holder from horizontal to vertical!

- Adjustable ring and media holder flip orientations to change quadrants
- Accommodates size 0, 1, and 2 film and phosphor plates
- Available with adult size or smaller, pedo size media holder
- Autoclavable

Rinn® Flip-Ray®	Qty
552600 Flip-Ray® Complete Kit: 2 Flip-Ray PA (1 Adult, 1 Pedo) and 2 Flip-Ray BW	4 pcs.
552601 Flip-Ray® PA, Pedo	4 pcs.
552602 Flip-Ray® PA, Adult	4 pcs.
552603 Flip-Ray® BW Universal Bitewing Holder	5 pcs.

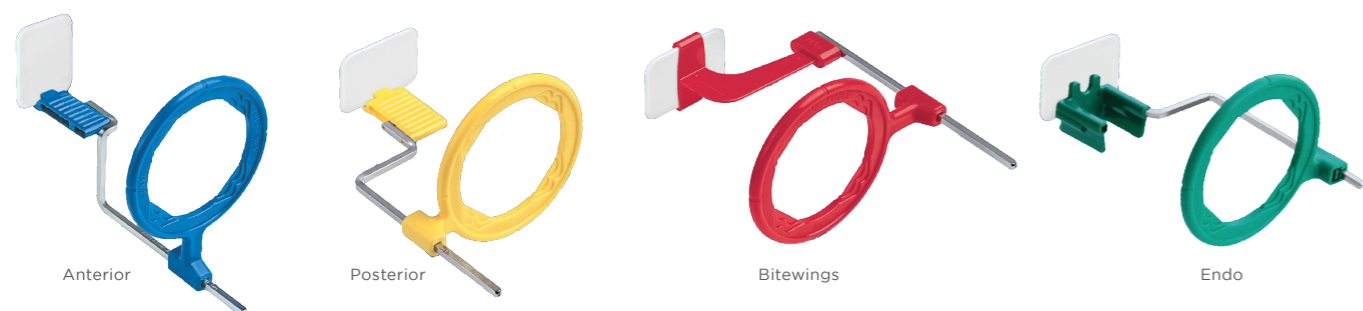


Rinn® Flip-Ray® BW for Bitewings



# Rinn® XCP® Holder System

Recommended for Film



Rinn® XCP® Kits	
542001	XCP® Evolution 2000 Kit Anterior, Posterior and Bitewings Contains: Anterior (4), Posterior (8), Bitewing Size #0 & #1, hor. (1), Bitewing Size #1, vert. (1), Bitewings Size #2, hor. (2), Bitewings Size #2, vert. (1), Positioning Arms & Rings: Anterior (1), Posterior (2), Bitewing (1), Positioning Poster (1)
542003	XCP® Evolution 2000 Kit Complete Kit (incl. Endo) Contains: all components of 542001 as well as Positioning Arm Endo (1), Positioning Ring Endo (1), Biteblocks Endo (4)
542045	XCP® Endo Kit Contains: XCP® Positioning Arm Endo (1), XCP® Positioning Ring Endo (1), XCP® Biteblocks Endo (3)

XCP® Biteblocks		Qty
540861	Anterior	25 pcs.
540862	Posterior	25 pcs.
540867	Anterior	6 pcs.
540868	Posterior	6 pcs.
540863	Anterior and Posterior	10 pcs.
540929	Bitewings Size #2, Horizontal	6 pcs.
540931	Bitewings Size #3, Horizontal	6 pcs.
540935	Endo	3 pcs.

XCP® Positioning Arms		Qty
540857	Anterior	1 pc.
540858	Posterior	1 pc.
540927	Bitewings	1 pc.
550597	Endo (No pins)	1 pc.

XCP® Positioning Rings		Qty
540865	Anterior	1 pc.
540860	Posterior	1 pc.
540934	Bitewings	1 pc.
550598	Endo	1 pc.

## EndoRay® II Film Holder

Fits over endodontic files, clamps and rubber dams.

- Use for endodontic radiography without the cheek interfering with the aiming arm
- Use with #1 or #2 film and phosphor plates
- Autoclavable

EndoRay® II		Qty
540303	EndoRay® II	2 pcs.
540307	EndoRay® II	4 pcs.



## Rinn® XCP-ORA® Complete Kit for Film

Rinn® XCP-ORA®	
542071	XCP-ORA® Complete Kit for Film (no endo included) Contains: 72 Biteblocks - Anterior (20) Posterior (20) Bitewings Size #0 & #1, Horizontal (10) Bitewings Size #1, Vertical (6) Bitewings Size #2, Horizontal (10) Bitewings Size #2, Vertical (6) ORA® Ring & Arm (1) Positioning Poster (1)



\*Please note that due to a variety of monitor settings, final print and or other marketing collateral may slightly vary from the actual product color.

## Soothe-Guard Air® Lead-Free Aprons

Soothe-Guard Air Lead-Free aprons are up to 15% lighter than Soothe-Guard Lead-Lined aprons.

		.35MM Lead Equivalency	Closure Type	Weight (lbs.)	Navy Blue	Light Blue	Cool Gray	Sand	Royal Blue	Charcoal
A	Adult Apron with Collar		Magnetic	5.95	861805001	861905001	862005001	862105001	862205001	862305001
B	Child Apron with Collar		Magnetic	3.31	861804701	861904701		862104701	862204701	
C	Adult Apron Ext. Collar		Magnetic	6.17				862106001		862306001
D	Child Apron Ext. Collar		Magnetic	3.53				862105701		862305701
E	Adult Apron without Collar		No closure	5.18	861804902	861904902	862004902	862104902	862204902	862304902
F	Thyroid Collar		Magnetic	0.79						862305101
G	Adult Dual-Pano		Standard	9.15	861805400	861905400	862005400	862105400	862205400	862305400
H	Child Dual-Pano		Standard	5.18	861805500	861905500		862105500	862205500	
		.5MM Lead Equivalency								
A	Adult Apron with Collar		Magnetic	7.61	871805001					

## Soothe-Guard® Lead-Lined Aprons

		.35MM Lead Equivalency	Closure Type	Weight (lbs.)	Navy Blue	Light Blue	Cool Gray	Sand	Royal Blue	Charcoal
A	Adult Apron with Collar		Standard	6.50	661805000	661905000	662005000	662105000	662205000	662305000
B	Child Apron with Collar		Standard	3.97	661804700	661904700		662104700	662204700	
C	Adult Apron Ext. Collar		Standard	6.73				662106000		662306000
E	Adult Apron without Collar		No closure	5.84	661804902	661904902	662004902	662104902	662204902	662304902
		.5MM Lead Equivalency								
E	Adult Apron without Collar		No closure	7.59	671804902					



## Small Equipment

### Universal Collimator

Protect your patients by limiting the size of the primary x-ray beam to #2 film.

- Quickly applies into open end of round PID
- Vertical or horizontal use
- Use with any RINN® Arm & Ring positioning device for accurate alignment

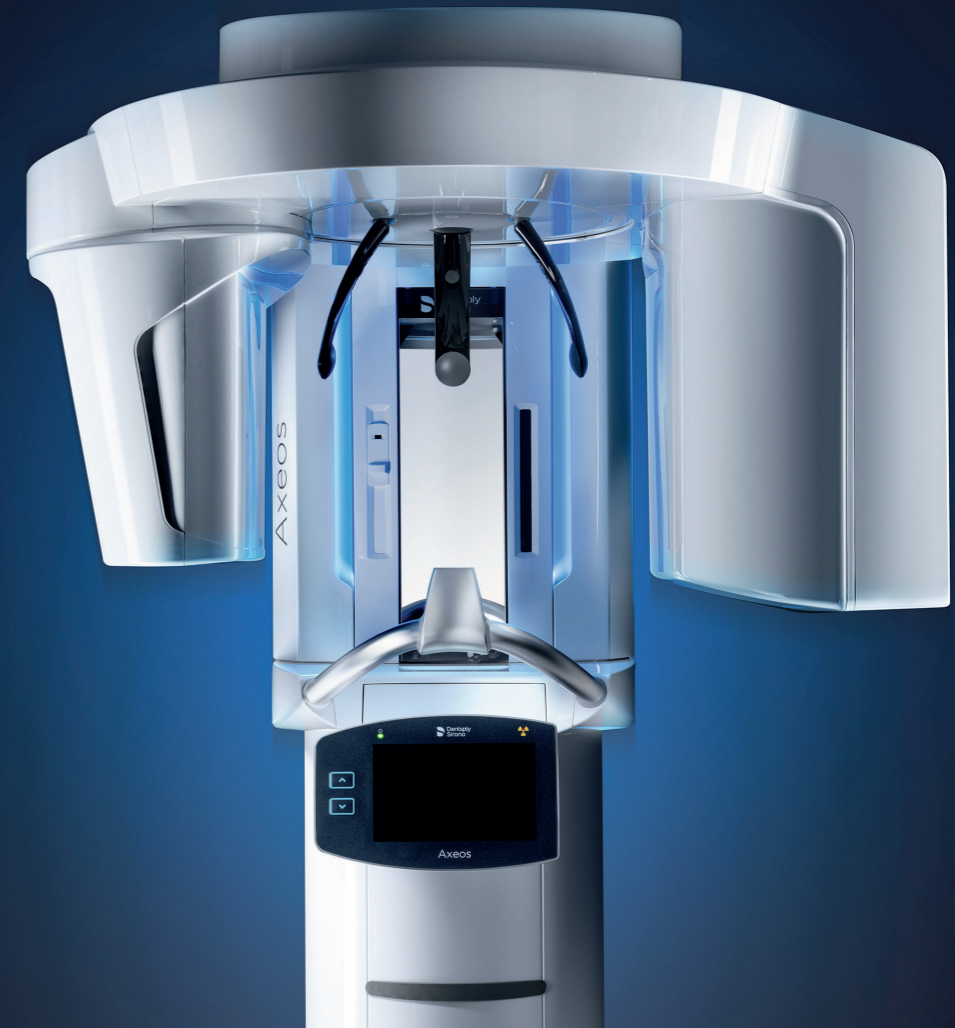


Universal Collimator

540853

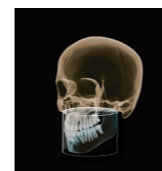
Dentsply Sirona Imaging Solutions

# Axeos Experience the difference.



**A new generation of progressive imaging is here – experience the difference with Axeos.**

- Fields of View from Ø5x5.5 up to Ø17x13



**Exemplary Indications:**

- TMJ diagnostics
- Orthodontic treatment planning
- Orthognathic surgery planning
- Upper airway segmentation considering TMJ position

- Patented Auto-Positioner automatically determines the correct head tilt and increases patient comfort.

Visit [dentsplysirona.com/axeos](https://dentsplysirona.com/axeos) to learn more